

Series S

Narrow Body Strip
One Lamp



FEATURES & SPECIFICATIONS

INTENDED USE

Narrow body one lamp strip for interior warehouse, retail, and utility areas requiring general illumination in a commercial quality narrow strip configuration. Economical two lamp versions also available

SIZE W x L x H in inches (mm)

2.75W x 1.80H (70 x 45)

Fixture length = lamp(s) length

MATERIALS & FEATURES

Housing is die-formed and embossed code 22 gage steel. Finish is high reflectance baked white enamel. Wiring knockouts are provided on back, side, and end of housing. Ballast covers or reflectors attach without tools to simplify ballast access.

- Single unit length and tandem fixtures available in most lamp styles.
- W3x, economical white steel reflectors, for abusive locations
Two styles: symmetric and asymmetric
- M2, premium full specular (mirrored) reflectors, for maximum efficiency
- W1x, high reflectance white aluminum reflectors, combine economy and efficiency

ORDERING INFORMATION

S	1	32			E120
Series			Reflectors [3]		
S Narrow Body Strip, with or without Reflectors			Blank	No Reflector	
			W3 0	White Steel reflector Standard Mount	
			W3 5	White Steel reflector Asymmetric	
			M2 0	Mirrored reflector Standard Mount	
			W1 0	White Aluminum reflector Standard Mount	
Lamp Count Lamp Type [1] & Tandem Code [2]			Ballast & Voltage [1]		
1	20	24 in. T12	E120	Electronic, 120V	
1	30	6 36 in. T12	E277	Electronic, 277V	
1	40	8 48 in. T12 [7]	MV	Electronic, Multivolt (120-277)	
1	17	24 in. T8	H120 [4]	Electronic, 120V, Hi-Lume	
1	25	6 36 in. T8	H277 [4]	Electronic, 277V, Hi-Lume	
1	32	8 48 in. T8	HMV [4]	Electronic, Multivolt, Hi-Lume	
1	59	F96T8 96 in. Slimline	L120 [4]	Electronic, 120V, Lo-Lume	
1	14	22 in. T5 [4]	L277 [4]	Electronic, 277V, Lo-Lume	
1	21	34 in. T5 [4]	LMV [4]	Electronic, Multivolt, Lo-Lume	
1	28	8 46 in. T5 [4]	M120 [6]	Magnetic, 120V	
1	24	22 in. T5HO [4]	M277 [6]	Magnetic, 277V	
1	39	34 in. T5HO [4]	S	Residential 120V Ballast	
1	54	8 46 in. T5HO [4]	Options [1]		
			WP	6 ft. 3 wire 18 gauge whip	
			WP10	6 ft. 4 wire 18 gauge whip	
			EM	Emergency ballast, 500 lumens	
			EM14	Emergency ballast, 1400 lumens	
			D	Ballast Disconnect	
			EM14 ballast required for T5HO lamps		

Notes

- [1] See end of T02Strip section for many additional lamps, ballasts, finishes, and options.
- [2] Tandem doubles length and lamp count. Same lamps in cross section, additional lamps end to end.
- [3] Custom reflectors available to create any light distribution.
- [4] HiLume and LoLume ballasts available for T8 lamps only.
- [5] T5 & T5HO S body strips are full 24/36/48/96in length. See KDS series for shorter strips.
- [6] Magnetic ballasts available for T8 & T12 only.
- [7] Standard magnetic T12 ballasts for 48in lamp drive a 34W energy saver. Specify electronic to drive 48in T12 34 or 40W lamp.
- [8] Standard magnetic ballasts for F96T12HO drive 95W energy saving lamp. Specify electronic to drive 95 or 110W lamp.

Texas Fluorescents

2055 Luna Rd. Suite 142 Carrollton, TX 75006

Phone: 972-247-3171 Fax: 972-247-0200

www.texasfluorescents.com email: sales@texasfluorescents.com

Catalog Number:

Notes:

LAMP

1 lamp position.

MOUNTING

Surface mount, chain hung, double stem. See end of chapter T02Strip for accessory mount kits.

LISTING

Fixture and Ballast: UL Listed.

Ballast: Thermally protected, class P, HPF, Non PCB; unless specified otherwise.

TYPICAL OPTIONS AND ACCESSORIES

Emergency ballasts, whips, fuses, and wire guards. See options page at the end of the T02Strip section, or contact factory for more details.

Example: S 132 E120

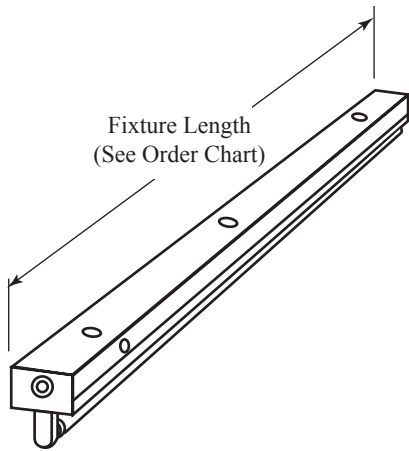
Series S

Narrow Body Strip

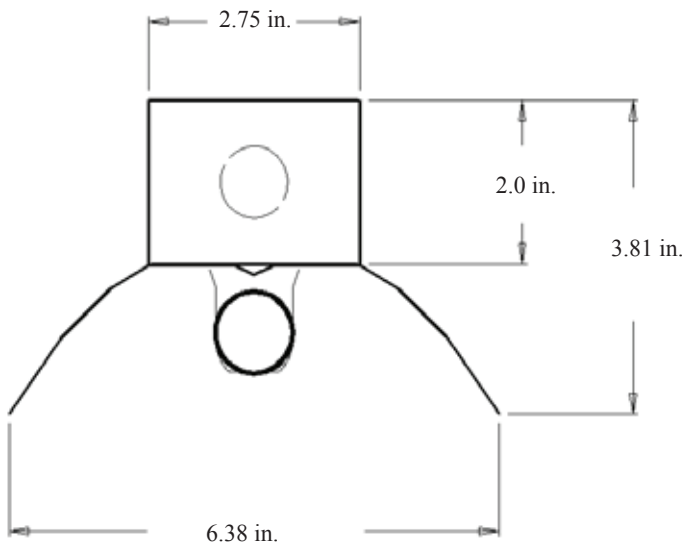


DIMENSIONS

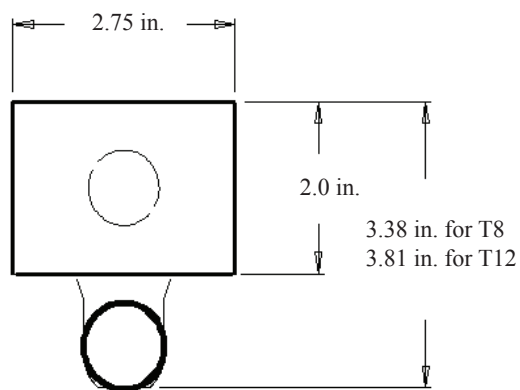
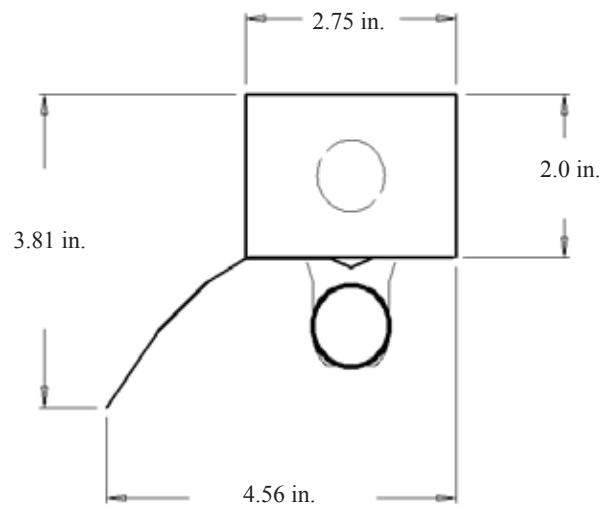
All dimensions are inches. Specifications subject to change without notice.



Style 0



Style 5



Catalog Number:
Notes: