

High Performance Lighting

Texas Fluorescents and GE Lighting have partnered to provide enhanced energy savings with the latest technology.

Use F28T8 Lamps and GE Ultramax ballasts

F28T8 LAMPS AND ULTRAMAX BALLASTS

Using F28T8 lamps and GE's Ultramax ballasts will provide 25% energy savings, attractive paybacks and 5 year ballast and special lamp warranty backed by GE.

Convert 3 Lamp 40W T12 with Magnetic ballast (118W) to F28T8 w/ UltraMax L (66W) ballast.

52 Watts Saved								
Annual Hours of Operation								
		3,000	4,000	5,000	6,000	7,000	8,000	8,760
KWH RATE	0.04	\$2.52	\$3.36	\$4.20	\$5.04	\$5.88	\$6.72	\$7.36
	0.06	\$3.78	\$5.04	\$6.30	\$7.56	\$8.82	\$10.08	\$11.04
	0.08	\$5.04	\$6.72	\$8.40	\$10.08	\$11.76	\$13.44	\$14.72
	0.10	\$6.30	\$8.40	\$10.50	\$12.60	\$14.70	\$16.80	\$18.40
	0.12	\$7.56	\$10.08	\$12.60	\$15.12	\$17.64	\$20.16	\$22.08

Convert 3 Lamp T8 w/Electronic ballast (87W) to a GE F32T8 w/UltraMax L (71W) ballast.

21 Watts Saved								
Annual Hours of Operation								
		3,000	4,000	5,000	6,000	7,000	8,000	8,760
KWH RATE	0.04	\$2.52	\$3.36	\$4.20	\$5.04	\$5.88	\$6.72	\$7.36
	0.06	\$3.78	\$5.04	\$6.30	\$7.56	\$8.82	\$10.08	\$11.04
	0.08	\$5.04	\$6.72	\$8.40	\$10.08	\$11.76	\$13.44	\$14.72
	0.10	\$6.30	\$8.40	\$10.50	\$12.60	\$14.70	\$16.80	\$18.40
	0.12	\$7.56	\$10.08	\$12.60	\$15.12	\$17.64	\$20.16	\$22.08

Energy Comparison

Fixture Type	No. of Lamps	Input Watts 40W T12 ES	Input Watts 32W T8	Input Watts "E" Fixture 28W T8	Energy Savings
		MAG ES ELEC	MAG ES ELEC	ELEC	
Lensed Troffer	3	118 113	107 87	65	25 - 45% Reduction
Parabolic Troffer	3	118 113	107 87	67	25 - 45% Reduction
Wraparound	2	74 75	69 58	43	25 - 45% Reduction
Strip	2	74 75	69 58	43	25 - 45% Reduction
Recessed Direct/Indirect	3	118 113	107 87	66	25 - 45% Reduction

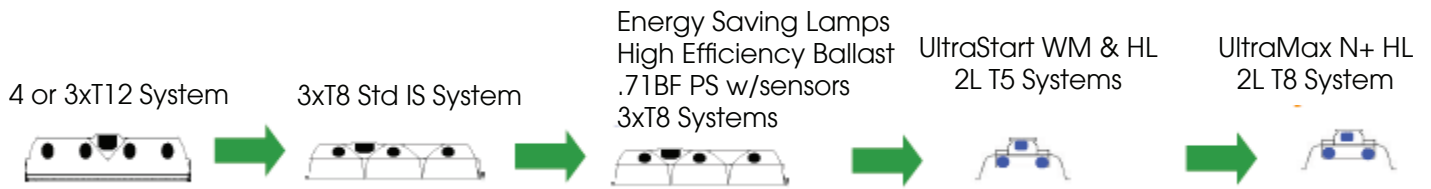


Tune Your Lamps and Ballasts for Maximum Savings and Performance

Texas Fluorescents and GE Lighting offer a variety of T8 or T5 lamp types with various lumen outputs and hours of life and different ballast factors to find the perfect combination to maximize energy savings, performance and maintenance.

Commercial Recessed Troffer

- Lamp 81 LPW
- Ballast effic =70%
- 144(4) - 114(3) watts
- Lamp 88 LPW
- Ballast effic =85%
- High Frequency
- 12% more light
- Lamp 98 LPW
- Ballast effic >90%
- Lower BF
- Fixture effic >85%
- Lamp 100 LPW
- Ballast effic >92%
- Fixture effic >85%
- Less Lamps
- Longer Life
- Lamp 98 LPW
- Ballast effic >94%
- Fixture effic >85%
- Less Lamps
- Longer Life



Lamp Type	F34T12	F32T8	F32T8/HL	F28T8	F32T8/HL	F28T5HL	F28T5HL	F28T5WM	F28T5WM	F32T8/HL
Ballast Type	2 EM	Std IS	HE IS	HE IS	HE PS	HE PS	HE PS	HE PS	HE PS	HE IS
Lamp Life	20000	20000	29000	24000	29000	30000	30000	30000	30000	29000
Number of Lamps	3	3	3	3	3	2	2	2	2	2
Initial Lumens	2750	2800	3100	2750	3100	3050	3050	2900	2900	3100
Ballast Factor	0.90	0.88	0.77	0.77	0.71	1.15	0.95	1.15	0.95	1.00
Light Source Lumen (Mean)	7,054	7,022	6,803	6,035	6,273	6,664	5,505	6,337	5,235	5,890
Optical Efficiency (Parabolic)	73.0%	73.0%	73.0%	86.0%	86.0%	86.0%	86.0%	86.0%	86.0%	86.0%
Fixture Lumen Output (Mean)	5,149	5,126	4,966	5,190	5,395	5,731	4,735	5,449	4,502	5,065
Light Loss/Gain		0%	-4%	1%	5%	11%	-8%	6%	-12%	-2%
System Wattage	114	84	73	65	68	70	57	67	55	62
Light Source LPW (Mean)	62	84	93	93	92	95	97	95	95	95
Fixture LPW (Mean)	45	61	68	80	79	82	83	81	82	82
% Energy Savings		26%	36%	43%	40%	39%	50%	41%	52%	46%



LCI 2x2 ft.

Low Profile Center Basket T5



FEATURES & SPECIFICATIONS

INTENDED USE

Low profile dedicated to T5 lampping is ideal for shallow plenum spaces. Specification grade, direct / indirect center diffuser luminaire provides smooth and uniform ambient lighting for all commercial and industrial buildings with recessed configurations. Reflected light from matte surfaces provide a softened “sky light” appearance to the modern office environment.

SIZE W x L x H in inches

23.68W x 23.68L x 3.25Dp

LAMP

2 lamp positions.

* Consult factory for 3 lamp

MATERIALS & FEATURES

Housing is die-formed and embossed code 22 gage steel. Luminaire body finish is high reflectance baked white enamel, with matte white reflectors. Wiring knockouts are provided on the back of housing. Center diffuser snaps into place; no tools are required for removal. Diffuser is perforated to maintain even brightness, and provided with an internal, acrylic overlay to obscure lamps.

- Direct / indirect mimics “sky light” appearance
- Matte white reflective surfaces for soft, uniform light distribution
- Recessed perforated center diffuser with acrylic overlay.

MOUNTING

Recessed inverted T-Bar ceilings. Grid mount.

LISTING

Fixture and Ballast: UL Listed.

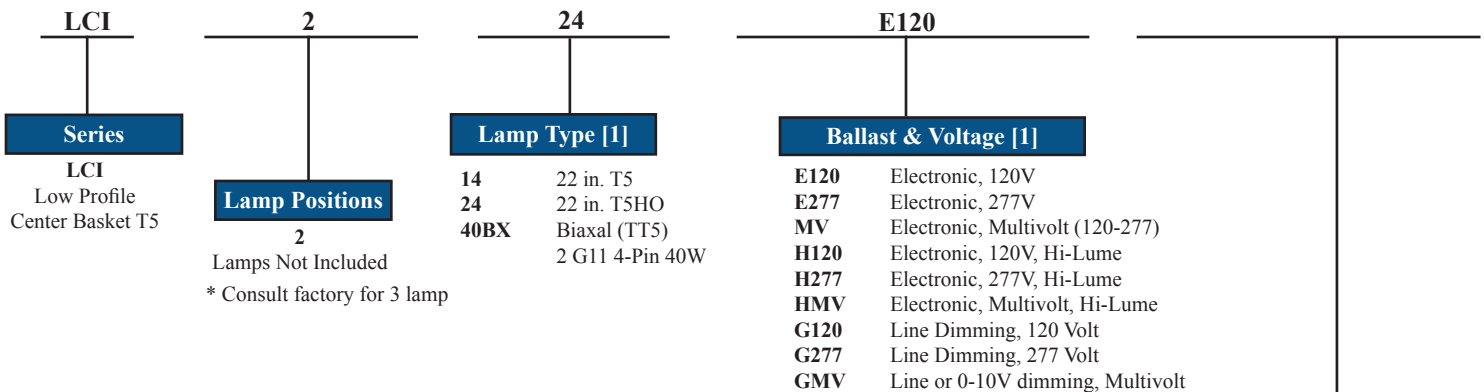
Ballast: Thermally protected, class P, HPF, Non PCB.

TYPICAL OPTIONS AND ACCESSORIES

Emergency ballasts, whips, and lenses. See options page at the end of the T02Grid section, or contact factory for more details.

ORDERING INFORMATION

Example: **LCI224E120**



Options [1]	
WP	6ft whip, 3/18ga
WP10	6ft whip, 4/18ga
EM	Emergency ballast
EM14	Emergency ballast, 1400Lumen

EM14 ballast required for T5, TT5 & T5HO lamps

Notes

[1] See end of T02Grid for many additional lamps, ballasts, finishes, and options.

[2] HiLume and multivolt dimming ballasts available for T8 lamps only.

[3] Dimming ballasts available for T8 & T5HO lamps only.

Catalog Number:
Notes:

LCI 2x4 ft.

Low Profile Center Basket T5



FEATURES & SPECIFICATIONS

INTENDED USE

Low profile dedicated to T5 lampping is ideal for shallow plenum spaces. Specification grade, direct / indirect center diffuser luminaire provides smooth and uniform ambient lighting for all commercial and industrial buildings with recessed configurations. Reflected light from matte surfaces provide a softened “sky light” appearance to the modern office environment.

SIZE W x L x H in inches

23.68W x 47.67L x 3.25Dp

LAMP

2 lamp positions.

* Consult factory for 3 lamp

MATERIALS & FEATURES

Housing is die-formed and embossed code 22 gage steel. Luminaire body finish is high reflectance baked white enamel, with matte white reflectors. Wiring knockouts are provided on the back of housing. Center diffuser snaps into place; no tools are required for removal. Diffuser is perforated to maintain even brightness, and provided with an internal, acrylic overlay to obscure lamps.

- Direct / indirect mimics “sky light” appearance
- Matte white reflective surfaces for soft, uniform light distribution
- Recessed perforated center diffuser with acrylic overlay.

MOUNTING

Recessed inverted T-Bar ceilings. Grid mount.

LISTING

Fixture and Ballast: UL Listed.

Ballast: Thermally protected, class P, HPF, Non PCB.

TYPICAL OPTIONS AND ACCESSORIES

Emergency ballasts, whips, and lenses. See options page at the end of the T02Grid section, or contact factory for more details.

ORDERING INFORMATION

Example: **LCI228E120**

LCI	2	28
Series	Lamp Positions	Lamp Type [1]
LCI Low Profile Center Basket T5	2 Lamps Not Included * Consult factory for 3 lamp	28 26 in. T5 54 46 in. T5HO

E120
Ballast & Voltage [1]
E120 Electronic, 120V
E277 Electronic, 277V
MV Electronic, Multivolt (120-277)
H120 Electronic, 120V, Hi-Lume
H277 Electronic, 277V, Hi-Lume
HMV Electronic, Multivolt, Hi-Lume
G120 Line Dimming, 120 Volt
G277 Line Dimming, 277 Volt
GMV Line or 0-10V dimming, Multivolt

Options [1]	
WP	6ft whip, 3/18ga
WP10	6ft whip, 4/18ga
EM	Emergency ballast
EM14	Emergency ballast, 1400Lumen

EM14 ballast required for T5, TT5 & T5HO lamps

Notes

[1] See end of T02Grid for many additional lamps, ballasts, finishes, and options.

[2] HiLume and multivolt dimming ballasts available for T8 lamps only.

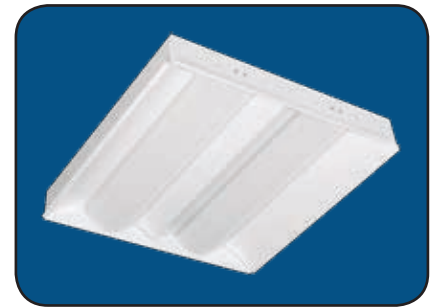
[3] Dimming ballasts available for T8 & T5HO lamps only.

Catalog Number:

Notes:

DBI 2x2 ft.

Low Profile Dual Basket T5



FEATURES & SPECIFICATIONS

INTENDED USE

Low profile dedicated to T5 lampping is ideal for shallow plenum spaces. Specification grade, direct / indirect center diffuser luminaire provides smooth and uniform ambient lighting for all commercial and industrial buildings with recessed configurations. Reflected light from matte surfaces provide a softened “sky light” appearance to the modern office environment.

SIZE W x L x H in inches

23.68W x 23.68L x 3.25Dp

LAMP

2 lamp positions.

* Consult factory for 4 lamp

MATERIALS & FEATURES

Housing is die-formed and embossed code 22 gage steel. Luminaire body finish is high reflectance baked white enamel, with matte white reflectors. Wiring knockouts are provided on the back of housing. Center diffuser snaps into place; no tools are required for removal. Diffuser is perforated to maintain even brightness, and provided with an internal, acrylic overlay to obscure lamps.

- Direct / indirect mimics “sky light” appearance
- Matte white reflective surfaces for soft, uniform light distribution
- Recessed perforated center diffuser with acrylic overlay.

MOUNTING

Recessed inverted T-Bar ceilings. Grid mount.

LISTING

Fixture and Ballast: UL Listed.

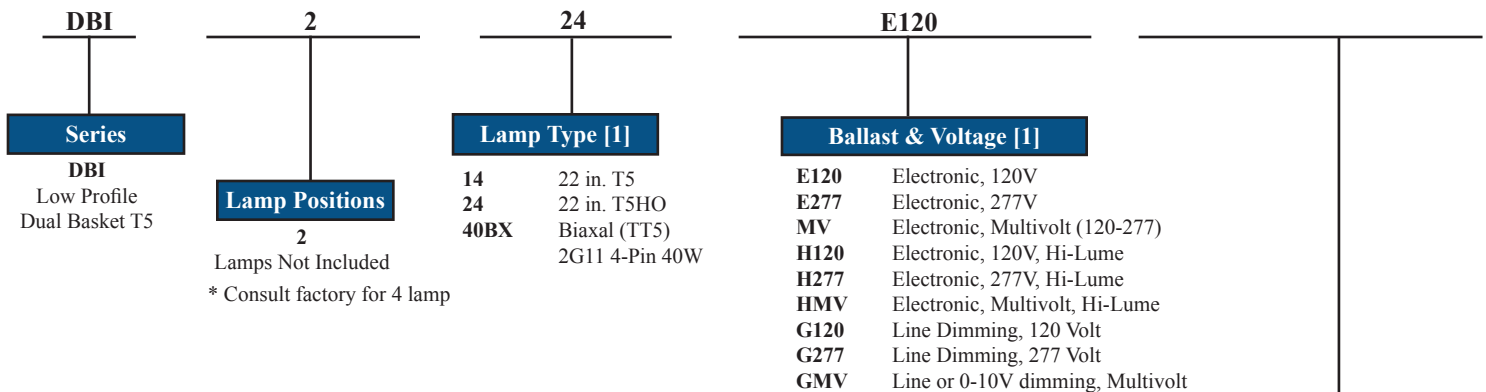
Ballast: Thermally protected, class P, HPF, Non PCB.

TYPICAL OPTIONS AND ACCESSORIES

Emergency ballasts, whips, and lenses. See options page at the end of the T02Grid section, or contact factory for more details.

ORDERING INFORMATION

Example: **DBI224E120**



Options [1]	
WP	6ft whip, 3/18ga
WP10	6ft whip, 4/18ga
EM	Emergency ballast
EM14	Emergency ballast, 1400Lumen

EM14 ballast required for T5, TT5 & T5HO lamps

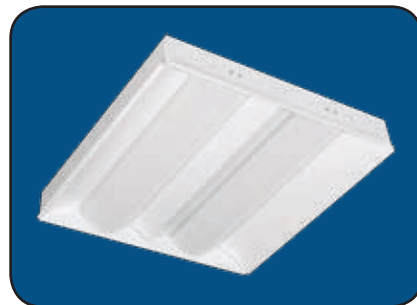
Notes

- [1] See end of T02Grid for many additional lamps, ballasts, finishes, and options.
 [2] HiLume and multivolt dimming ballasts available for T8 lamps only.
 [3] Dimming ballasts available for T8 & T5HO lamps only.

Catalog Number:
Notes:

DBI 2x4 ft.

Low Profile Dual Basket T5



FEATURES & SPECIFICATIONS

INTENDED USE

Low profile dedicated to T5 lampping is ideal for shallow plenum spaces. Specification grade, direct / indirect center diffuser luminaire provides smooth and uniform ambient lighting for all commercial and industrial buildings with recessed configurations. Reflected light from matte surfaces provide a softened “sky light” appearance to the modern office environment.

SIZE W x L x H in inches

23.68W x 47.67L x 3.25Dp

LAMP

2 lamp positions.

* Consult factory for 4 lamp

MATERIALS & FEATURES

Housing is die-formed and embossed code 22 gage steel. Luminaire body finish is high reflectance baked white enamel, with matte white reflectors. Wiring knockouts are provided on the back of housing. Center diffuser snaps into place; no tools are required for removal. Diffuser is perforated to maintain even brightness, and provided with an internal, acrylic overlay to obscure lamps.

- Direct / indirect mimics “sky light” appearance
- Matte white reflective surfaces for soft, uniform light distribution
- Recessed perforated center diffuser with acrylic overlay.

MOUNTING

Recessed inverted T-Bar ceilings. Grid mount.

LISTING

Fixture and Ballast: UL Listed.

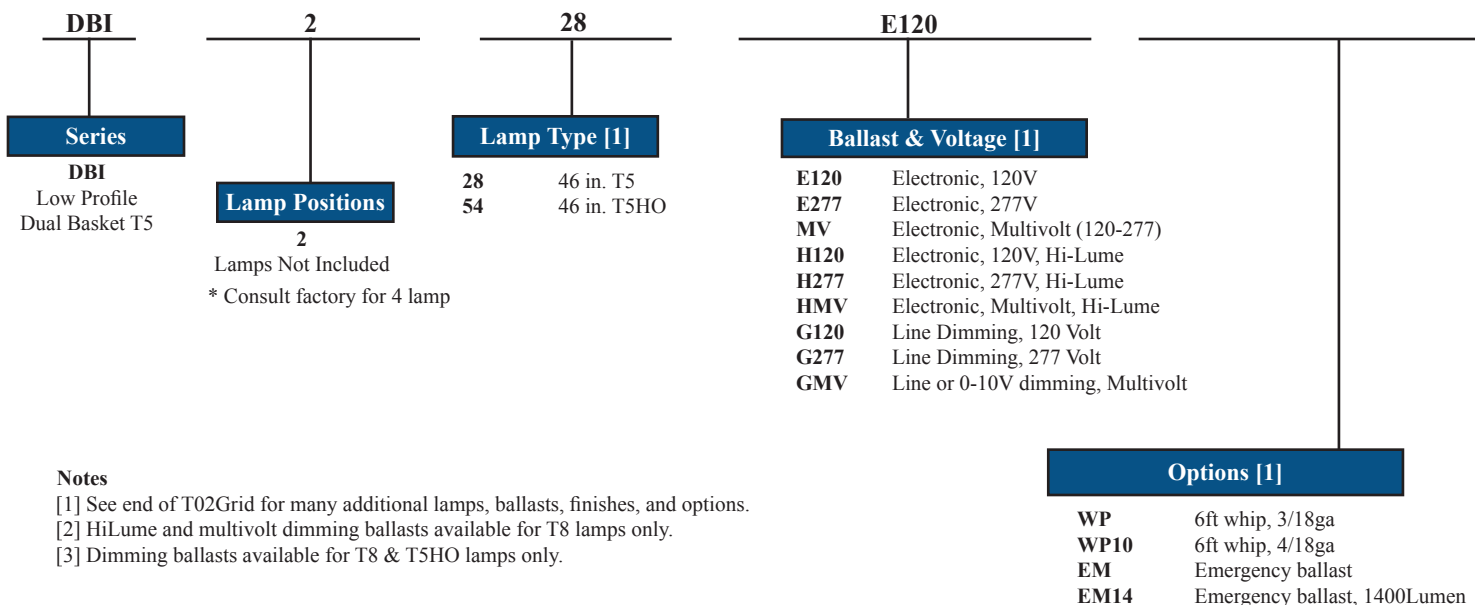
Ballast: Thermally protected, class P, HPF, Non PCB.

TYPICAL OPTIONS AND ACCESSORIES

Emergency ballasts, whips, and lenses. See options page at the end of the T02Grid section, or contact factory for more details.

ORDERING INFORMATION

Example: **DBI228E120**



Notes

[1] See end of T02Grid for many additional lamps, ballasts, finishes, and options.

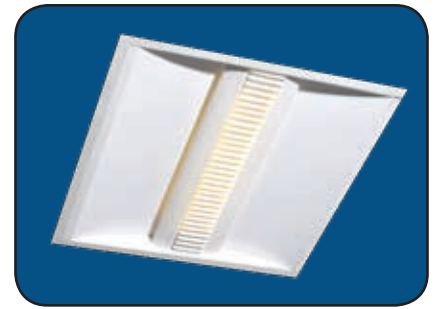
[2] HiLume and multivolt dimming ballasts available for T8 lamps only.

[3] Dimming ballasts available for T8 & T5HO lamps only.

EM14 ballast required for T5, TT5 & T5HO lamps

BDI 2x2 ft.

Baffled Perforated Center Basket



FEATURES & SPECIFICATIONS

INTENDED USE

Low profile dedicated to T5 lampping is ideal for shallow plenum spaces. Specification grade, direct / indirect center diffuser luminaire provides smooth and uniform ambient lighting for all commercial and industrial buildings with recessed configurations. Reflected light from matte surfaces provide a softened “sky light” appearance to the modern office environment.

SIZE W x L x H in inches

23.68W x 23.68L x 3.25Dp

LAMP

2 lamp positions.

* Consult factory for 3 lamp

MATERIALS & FEATURES

Housing is die-formed and embossed code 22 gage steel. Luminaire body finish is high reflectance baked white enamel, with matte white reflectors. Wiring knockouts are provided on the back of housing. Center diffuser snaps into place; no tools are required for removal. Diffuser is perforated to maintain even brightness, and provided with an internal, acrylic overlay to obscure lamps.

- Direct / indirect mimics “sky light” appearance
- Matte white reflective surfaces for soft, uniform light distribution
- Recessed perforated center diffuser with acrylic overlay.

MOUNTING

Recessed inverted T-Bar ceilings. Grid mount.

LISTING

Fixture and Ballast: UL Listed.

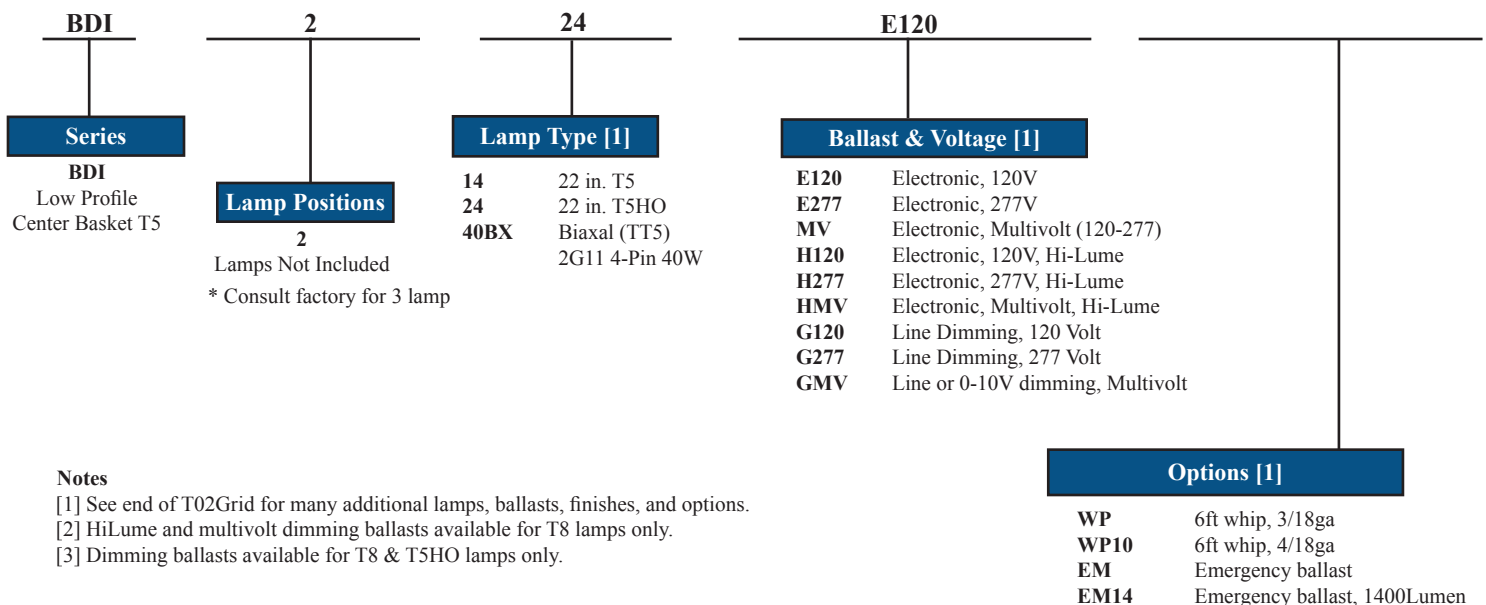
Ballast: Thermally protected, class P, HPF, Non PCB.

TYPICAL OPTIONS AND ACCESSORIES

Emergency ballasts, whips, and lenses. See options page at the end of the T02Grid section, or contact factory for more details.

ORDERING INFORMATION

Example: **BDI224E120**



Notes

[1] See end of T02Grid for many additional lamps, ballasts, finishes, and options.

[2] HiLume and multivolt dimming ballasts available for T8 lamps only.

[3] Dimming ballasts available for T8 & T5HO lamps only.

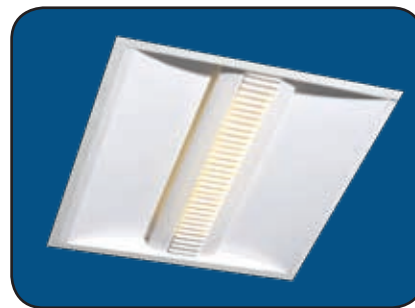
EM14 ballast required for T5, TT5 & T5HO lamps

Catalog Number:

Notes:

BDI 2x4 ft.

Baffled Perforated Center Basket



FEATURES & SPECIFICATIONS

INTENDED USE

Low profile dedicated to T5 lampping is ideal for shallow plenum spaces. Specification grade, direct / indirect center diffuser luminaire provides smooth and uniform ambient lighting for all commercial and industrial buildings with recessed configurations. Reflected light from matte surfaces provide a softened “sky light” appearance to the modern office environment.

SIZE W x L x H in inches

23.68W x 47.67L x 3.25Dp

LAMP

2 lamp positions.

* Consult factory for 3 lamp

MATERIALS & FEATURES

Housing is die-formed and embossed code 22 gage steel. Luminaire body finish is high reflectance baked white enamel, with matte white reflectors. Wiring knockouts are provided on the back of housing. Center diffuser snaps into place; no tools are required for removal. Diffuser is perforated to maintain even brightness, and provided with an internal, acrylic overlay to obscure lamps.

- Direct / indirect mimics “sky light” appearance
- Matte white reflective surfaces for soft, uniform light distribution
- Recessed perforated center diffuser with acrylic overlay.

MOUNTING

Recessed inverted T-Bar ceilings. Grid mount.

LISTING

Fixture and Ballast: UL Listed.

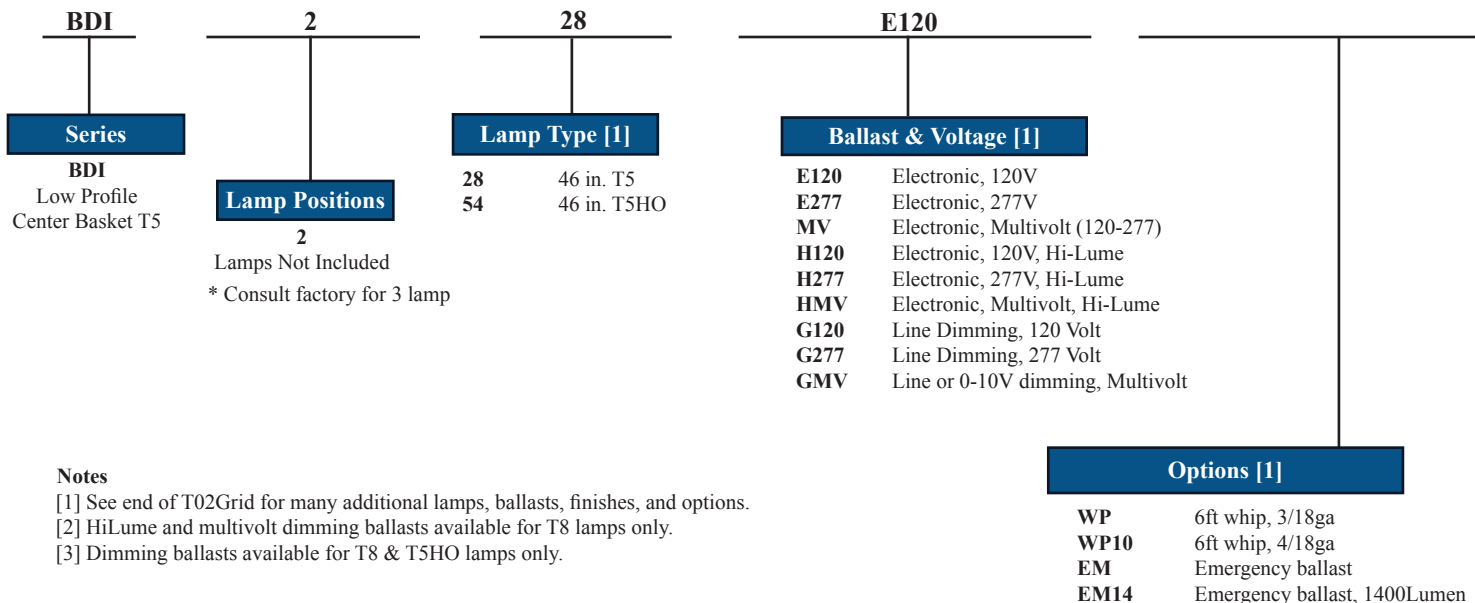
Ballast: Thermally protected, class P, HPF, Non PCB.

TYPICAL OPTIONS AND ACCESSORIES

Emergency ballasts, whips, and lenses. See options page at the end of the T02Grid section, or contact factory for more details.

ORDERING INFORMATION

Example: **BDI228E120**



Notes

[1] See end of T02Grid for many additional lamps, ballasts, finishes, and options.

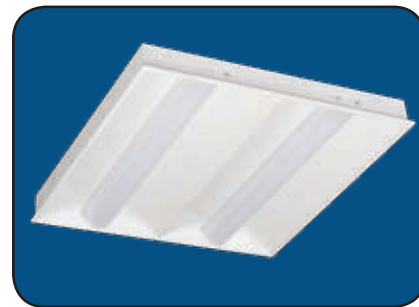
[2] HiLume and multivolt dimming ballasts available for T8 lamps only.

[3] Dimming ballasts available for T8 & T5HO lamps only.

EM14 ballast required for T5, TT5 & T5HO lamps

DPO 2x2 ft.

Maximum Efficiency Direct/Indirect,
Grid Mount



FEATURES & SPECIFICATIONS

INTENDED USE

Specification grade, very low profile direct / indirect luminaire provides ambient lighting with the MAXIMUM EFFICIENCY required for today's energy conscious offices, medical, and retail environments. The DP series fixtures supply a uniform light level; perfect for a soft wash on all vertical and horizontal surfaces.

SIZE W x L x H in inches (mm)

23.75W x 23.75L x 2.6Dp (600 x 600 x 65)

LAMP

2 Lamp Positions.

MATERIALS & FEATURES

Housing is die-formed and embossed code 22 gage steel. Finish is matte white baked polyester. Wiring knockouts are provided on back of housing. Lenses and reflectors snap into place; no tools required for ballast access. Lenses are fully submerged in fixture body for "clean" ceiling appearance.

- Clear (ribbed) and Opal polycarbonate lenses available
- Extremely Shallow design for low clearance plenums
- Provides soft, uniform ambient lighting.

MOUNTING

Recessed inverted T-Bar ceilings. Grid mount.

LISTING

Fixture and Ballast: UL Listed.

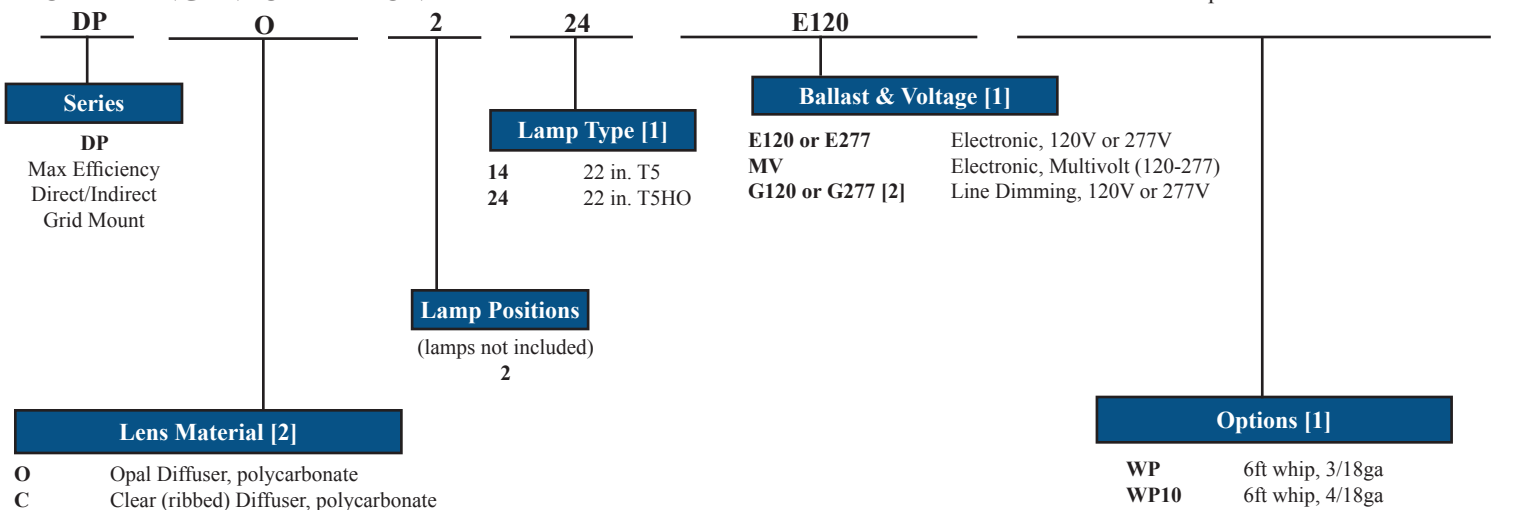
Ballast: Thermally protected, class P, HPF, Non PCB.

TYPICAL OPTIONS AND ACCESSORIES

Dimming, emergency ballasts, whips, and frame kits. See options page at the end of the T02Grid section, or contact factory for more details.

ORDERING INFORMATION

Example: **DPO 2 24 E120**



EM14 ballast required for T5 & T5HO lamps

Notes

[1] See end of T02Grid for many additional lamps, ballasts, finishes, and options.

[2] Dimming ballasts available for T5HO lamps only.

DPO 2x4 ft.

Maximum Efficiency Direct/Indirect,
Grid Mount



FEATURES & SPECIFICATIONS

INTENDED USE

Specification grade, very low profile direct / indirect luminaire provides ambient lighting with the MAXIMUM EFFICIENCY required for today's energy conscious offices, medical, and retail environments. The DP series fixtures supply a uniform light level; perfect for a soft wash on all vertical and horizontal surfaces.

SIZE W x L x H in inches (mm)

23.75W x 47.75L x 2.6Dp (600 x 1210 x 65)

LAMP

2 Lamp Positions

MATERIALS & FEATURES

Housing is die-formed and embossed code 22 gage steel. Finish is matte white baked polyester. Wiring knockouts are provided on back of housing. Lenses and reflectors snap into place; no tools required for ballast access. Lenses are fully submerged in fixture body for "clean" ceiling appearance.

- Clear (ribbed) and Opal polycarbonate lenses available
- Extremely Shallow design for low clearance plenums
- Provides soft, uniform ambient lighting.

MOUNTING

Recessed inverted T-Bar ceilings. Grid mount.

WEIGHT

Fixture weighs 20.0 lbs.

LISTING

Fixture and Ballast: UL Listed.

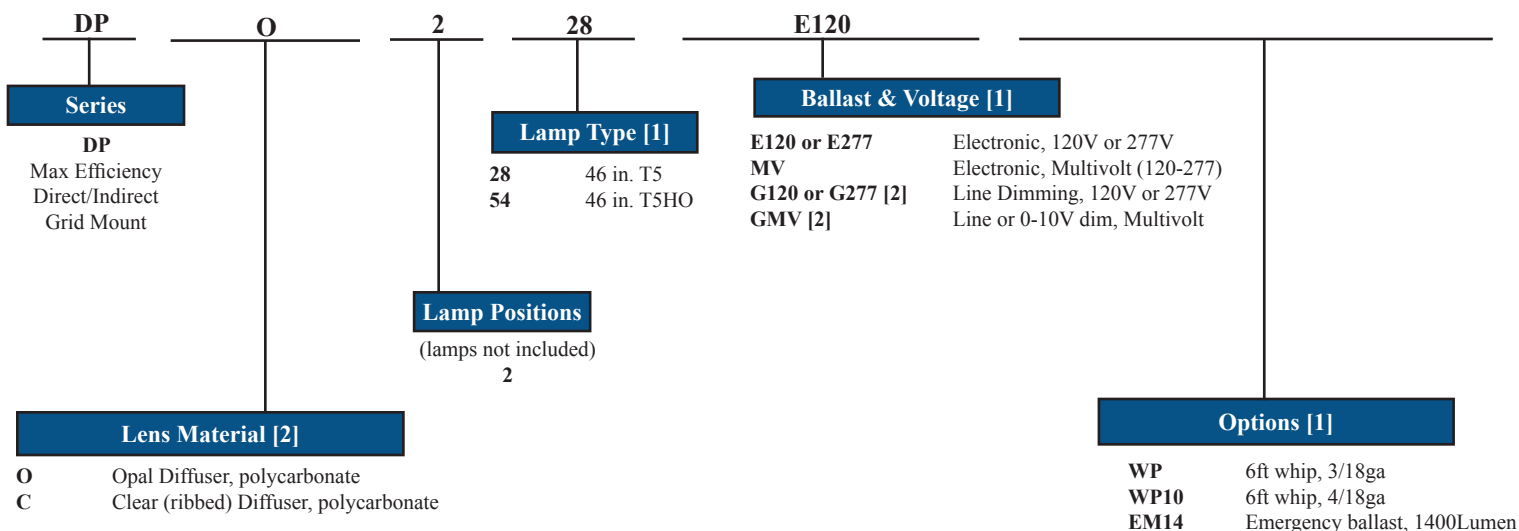
Ballast: Thermally protected, class P, HPF, Non PCB.

TYPICAL OPTIONS AND ACCESSORIES

Dimming, emergency ballasts, whips, and frame kits. See options page at the end of the T02Grid section, or contact factory for more details.

ORDERING INFORMATION

Example: **DP O 2 28 E120**



EM14 ballast required for T5 & T5HO lamps

Notes

[1] See end of T02Grid for many additional lamps, ballasts, finishes, and options.

[2] Dimming ballasts available for T5HO lamps only.