

Retrofit - Reuse and Save

Texas Fluorescents has developed an assortment of retrofit kits to enable you to upgrade lighting in the space with energy savings and performance while reusing the existing fixture. Reusing the existing fixture with Texas Fluorescents well thought out kits will

- Update Fixture to reduce energy by as much as 67%
- Reduce maintenance by using longer life lamps
- Keep the space clean by not removing the fixture and ceiling tiles
- Eliminate any plenum entry requirements
- Make change- out fast and clean- up faster
- Not require wiring changes

Once you choose the retrofit kit then choose the GE ballast and lamps (order separately) to maximize the savings and performance.



Troffer Retrofit Kit

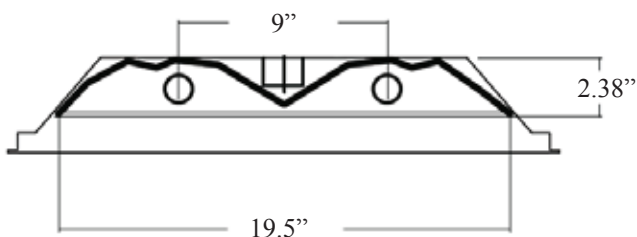
Reflector Kit - Retrofit 2 lamp for troffer body

FEATURES & SPECIFICATIONS

- Maximum Efficiency
- Fast, simple installation
- Remove reflectors without tools
- SMALL CAN ballast ONLY accommodated

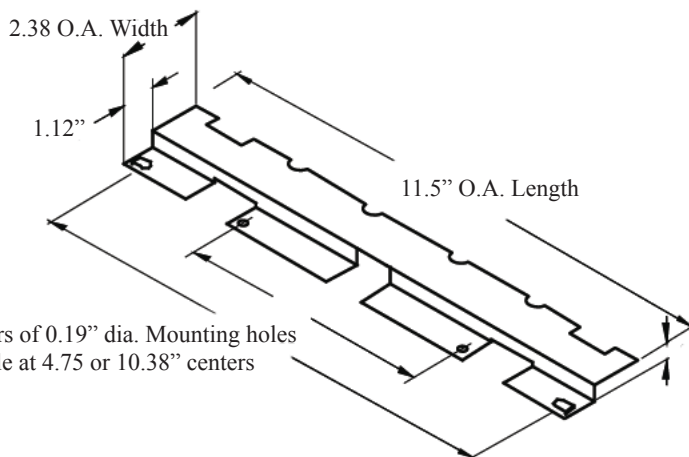
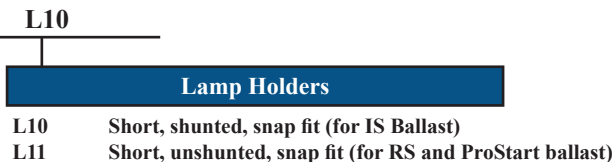
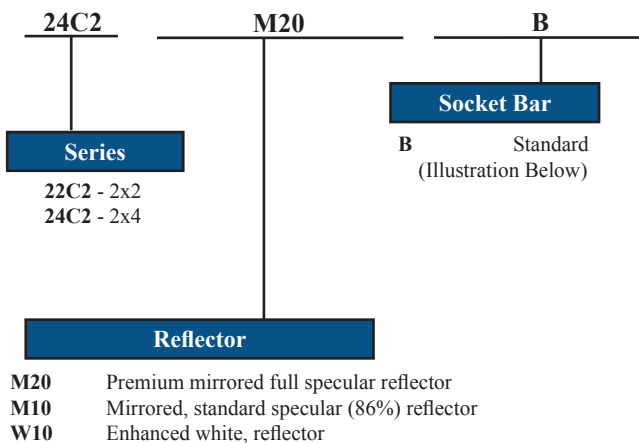
MATERIALS

Reflectors are a premium and standard full specular mirrored aluminum, and enhanced white. Socket Bars are white. Code gage steel.



ORDERING INFORMATION

Example: 24C2M20BL10



Accessories - order as a separate part number

Commercial grade electronic ballasts available in fixed and multi-volt; instant start, and prostart, low, normal, or high lumen output. Consult factory for part number and availability.

Lamps: Fluorescent, 2 ft. nominal. Available in multiple wattages, CRI's, and color temperatures. Call factory for part numbers.

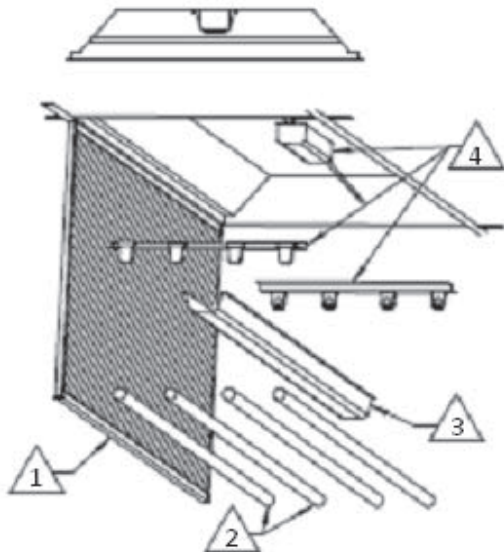
Catalog Number:
Notes:

Troffer Retrofit Kit



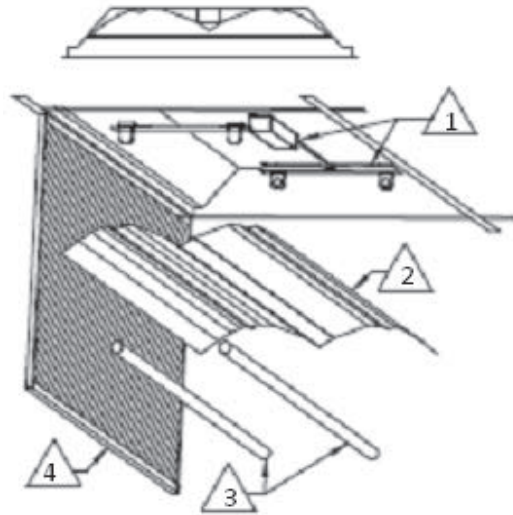
48 in. 4T12 to 2T8 Troffer Retrofit Installation

Before



1. Open Door. Clean inside door lens with glass cleaner
2. Remove existing T12 lamps.
3. Remove ballast cover.
4. Remove existing ballast, socket bars and lampholders

After



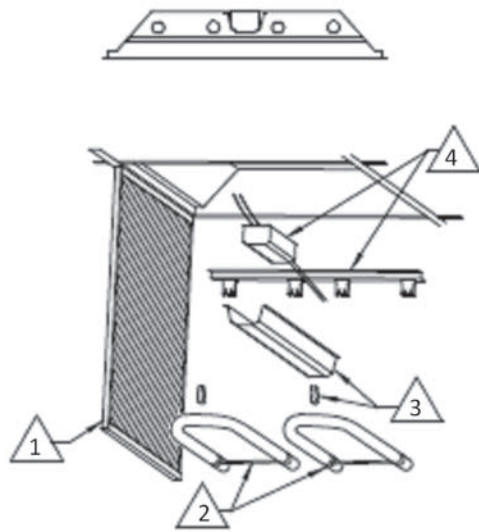
1. Install retrofit ballast, sbars & lampholders using Tek Screws provided
2. Install reflector onto lance on socket bars.
3. Install new T8 lamps.
4. Close door and lampholders

Troffer Retrofit Kit



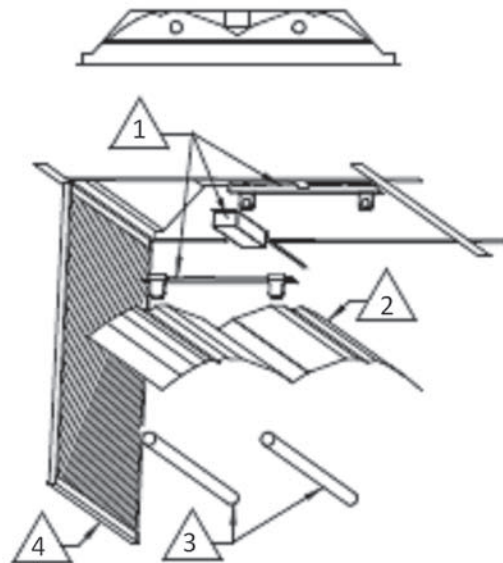
24in 2T12-6U to 2T8 Troffer Retrofit Installation

Before



1. Open Door. Clean inside door lens with glass cleaner
2. Remove existing T12-6U lamps.
3. Remove ballast cover and lamp retainer clips.
4. Remove existing ballast, socket bar and lampholders

After



1. Install retrofit ballast, sbars & lampholders using Tek Screws provided
2. Install reflector onto lance on socket bars.
3. Install new T8 lamps.
4. Close door

Parabolic Retrofit Kit

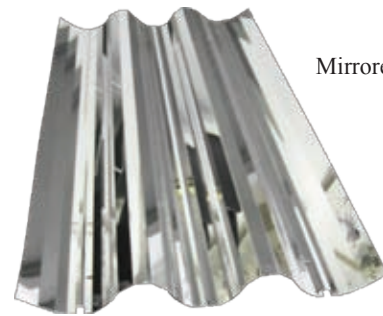
Parabolic Kit - Retrofit
for parabolic body

FEATURES & SPECIFICATIONS

- Maximum Efficiency
- Fast, simple installation
- Remove reflectors without tools

MATERIALS

Reflectors are a premium and standard full specular mirrored aluminum, and enhanced white. Socket Bars are white. Code gage steel.

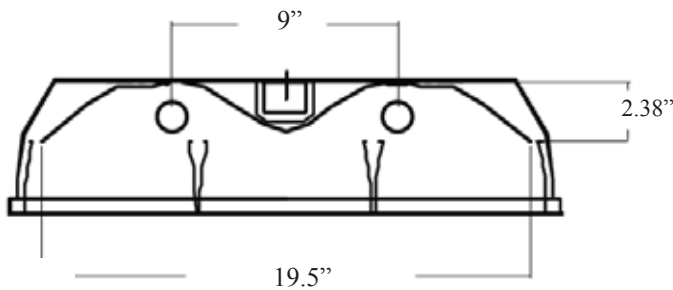
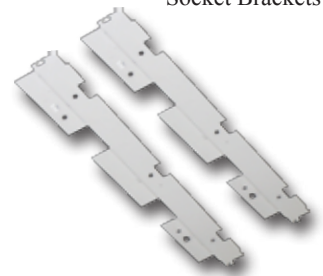


Mirrored Reflector

Lamp Holders

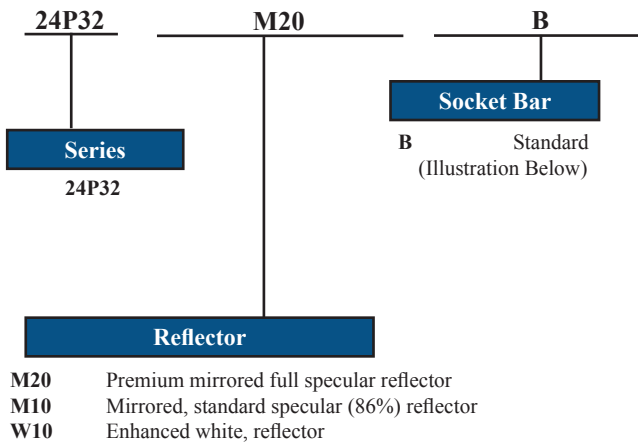


Socket Brackets



ORDERING INFORMATION

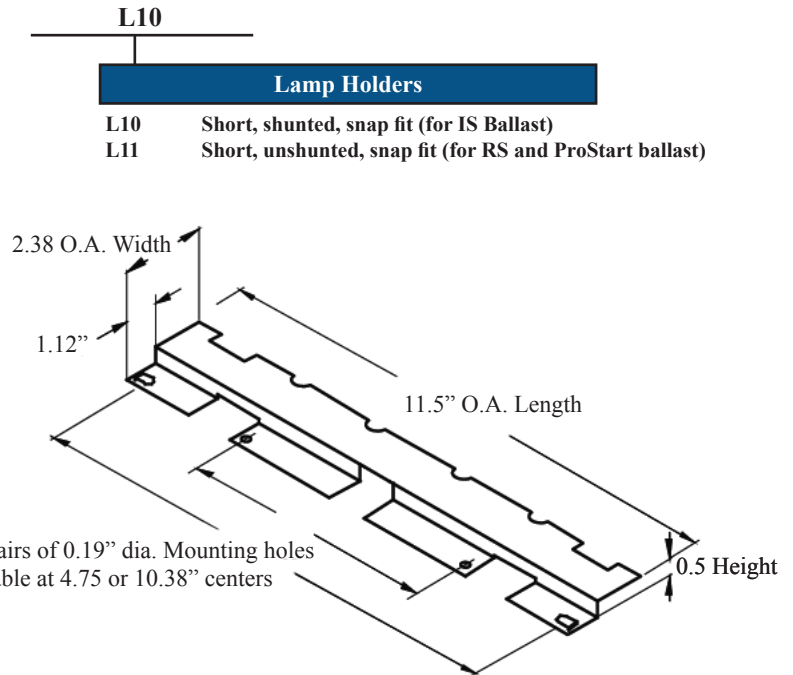
Example: 24P32M20BL10



Accessories - order as a separate part number

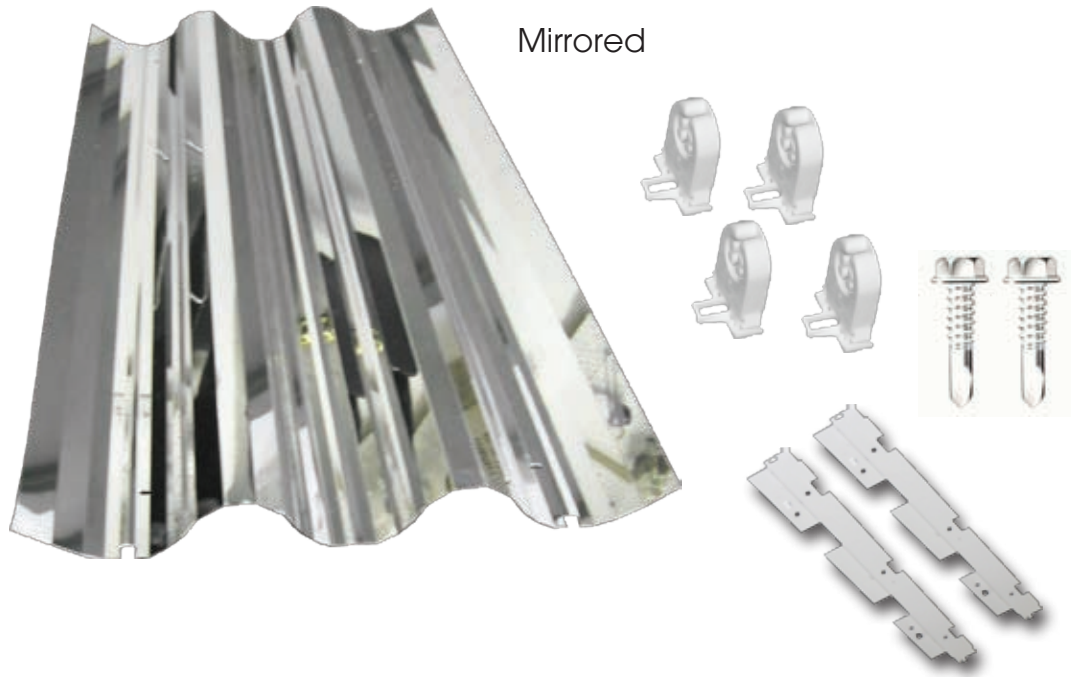
Commercial grade electronic ballasts available in fixed and multi-volt; instant start, and prostart, low, normal, or high lumen output. Consult factory for part number and availability.

Lamps: Fluorescent, 4 ft. nominal. Available in multiple wattages, CRI's and color temperatures. Call factory for part numbers.



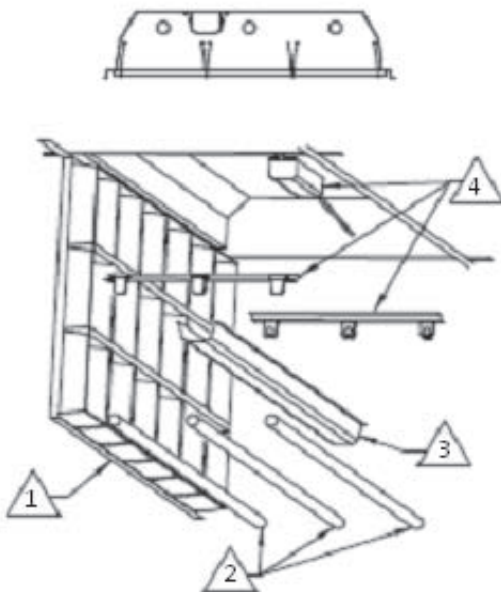
Catalog Number:
Notes:

Parabolic Retrofit Kit



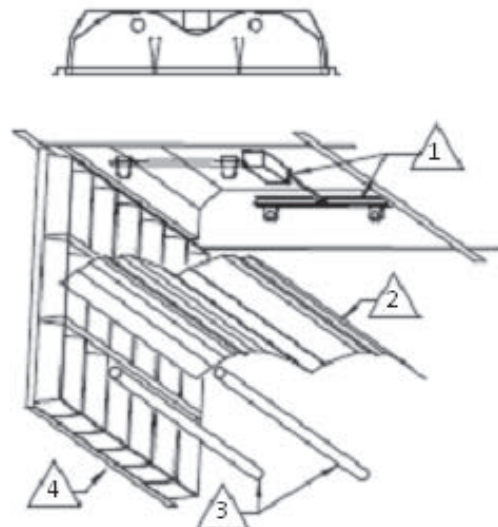
48in 3T12 to 2T8 Parabolic Retrofit Installation

Before



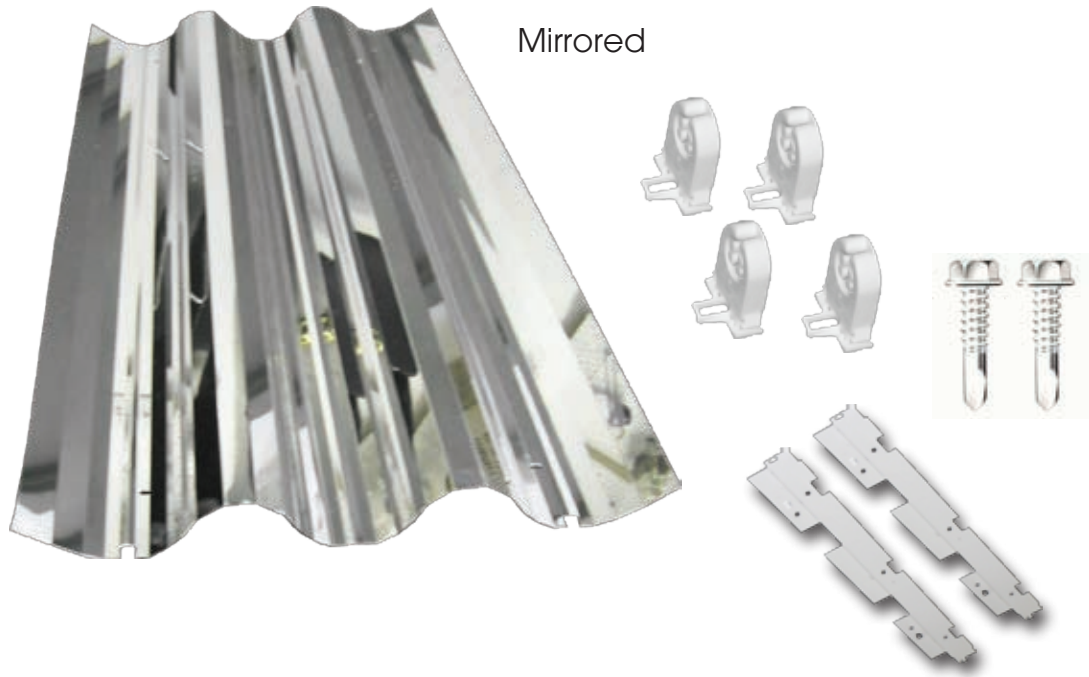
1. Open Door.
2. Remove existing T12 lamps.
3. Remove ballast cover.
4. Remove existing ballast, socket bar and lampholders

After



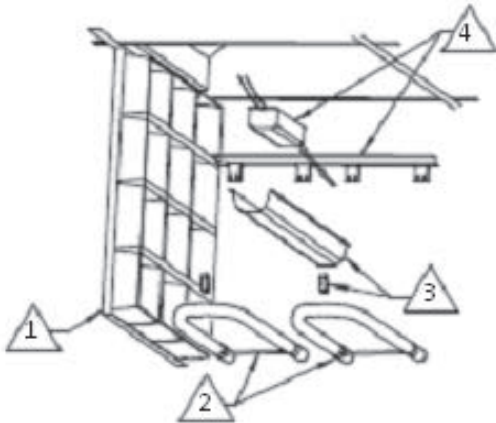
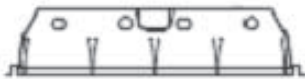
1. Install retrofit ballast, sbars & lampholders using Tek Screws provided
2. Install reflector onto lance on socket bars.
3. Install new T8 lamps.
4. Close door

Parabolic Retrofit Kit



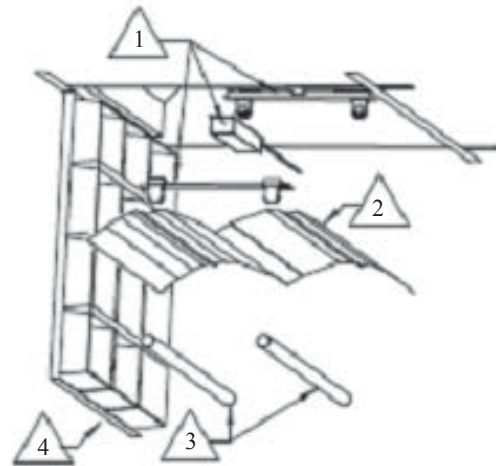
24in 2T12-6U to 2T8 Para Retrofit Installation

Before



1. Open Door. Clean inside door lens with glass cleaner
2. Remove existing T12-6U lamps.
3. Remove ballast cover and lamp retainer clips.
4. Remove existing ballast, socket bar and lampholders

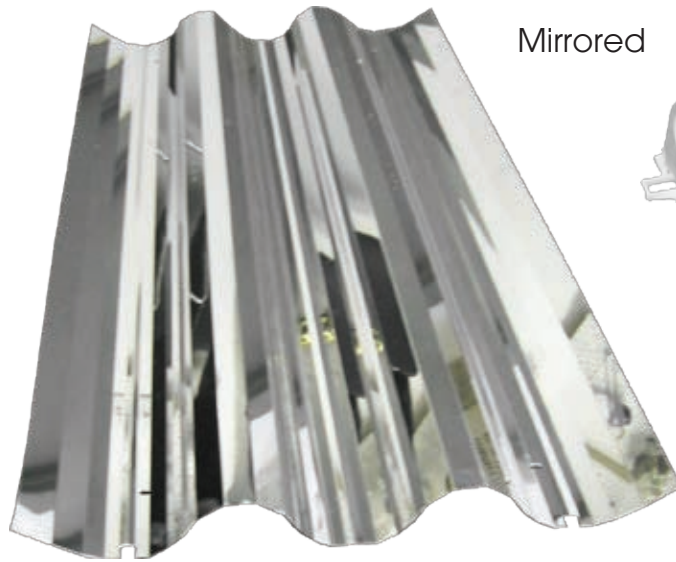
After



1. Install retrofit ballast, sbars & lampholders using Tek Screws provided
2. Install reflector onto lances on socket bars.
3. Install new T8 lamps.
4. Close door

0.5 Height

Parabolic Retrofit Kit

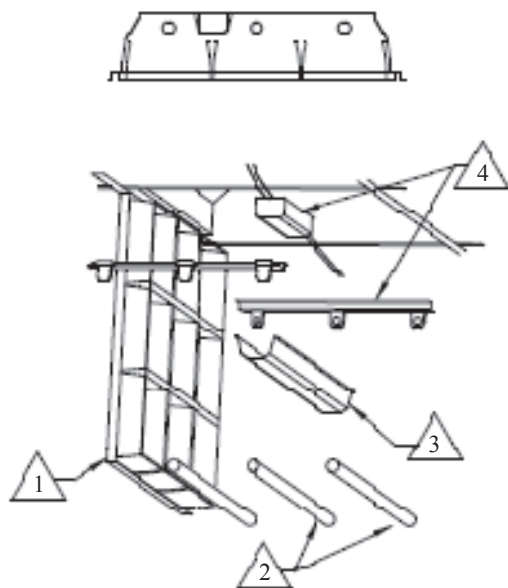


Mirrored



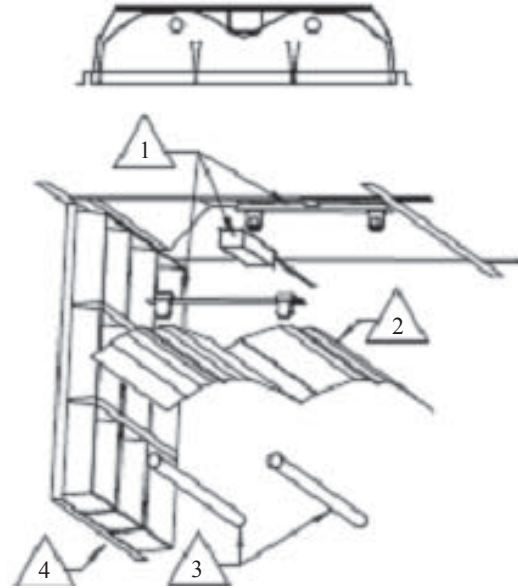
24in 3T12 to 2T8 Parabolic Retrofit Installation

Before



1. Open Door. Clean inside door lens with glass cleaner
2. Remove existing T12 lamps.
3. Remove ballast cover.
4. Remove existing ballast, socket bar and lampholders

After



1. Install retrofit ballast, sbars & lampholders using Tek Screws provided
2. Install reflector onto lances on socket bars.
3. Install new T8 lamps.
4. Close door

4RB Series

48 in. Ballast Cover Retrofit Kit

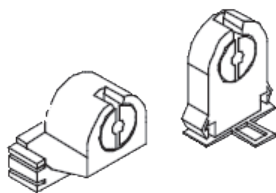
FEATURES & SPECIFICATIONS

INTENDED USE

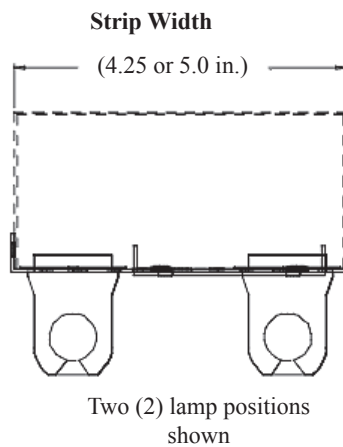
Ballast retrofit kit, 48 in. long, converts an existing strip to carry standard lamps. Material is die-formed 22 gage steel, with high reflectance baked white enamel finish. TEK screws are provided to attach retrofit ballast cover to an existing channel. Ballast and mounting plate may be removed for service without distributing 48 in. cover. Available with lamp holders that convert a 48 in. T8 strip to hold T5 or T5HO lamps.

KIT INCLUDES

- (1) 48 in. Ballast cover with lamp holder cut outs
- (1) Ballast mounting plate
- Short Lamp Holders (style & quantity as specified)
- (8) #8 x 3/8" TEX mounting screws

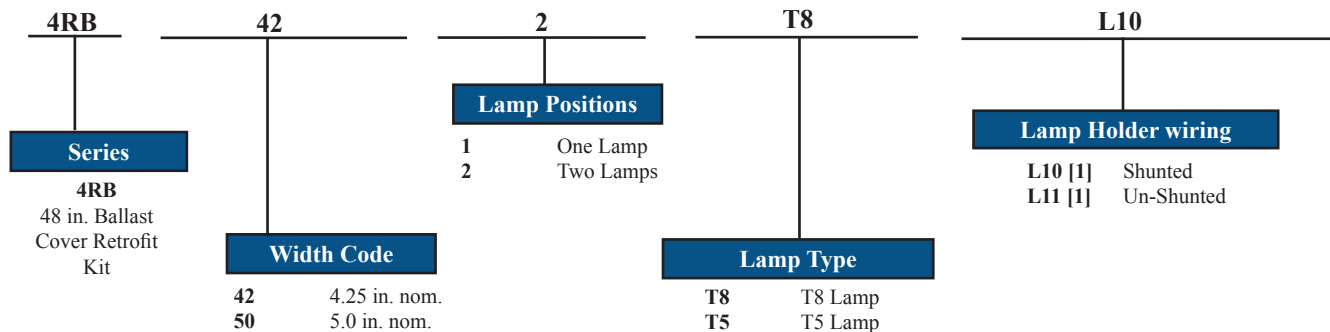


T5 Style lamp holder on left covers 48 in. body to correct length for T5 lamp.
T8 style lamp holder shown on right.



ORDERING INFORMATION

Example: **4RB422T8L10**



[1] Shunted lamp holders (L10) are suitable for instant start ballasts, un-shunted (L11) for rapid or pro start ballasts.

[2] Most T5 & T5HO ballasts are rapid or pro start.

Catalog Number:
Notes:

8RB Series

96 in. Ballast Cover Retrofit Kit

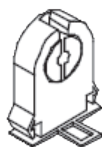
FEATURES & SPECIFICATIONS

INTENDED USE

Ballast retrofit kit, 96 in. long, converts an existing strip to carry standard lamps. Material is die-formed 22 gage steel, with high reflectance baked white enamel finish. TEK screws are provided to attach retrofit ballast cover to an existing channel. Ballast and mounting plate may be removed for service without disturbing 96 in. cover.

KIT INCLUDES

- (1) 96 in. Ballast cover with lamp holder cut outs
- (1) Ballast mounting plate
- Short Lamp Holders (style & quantity as specified)
- (12) #8 x 3/8" TEX mounting screws

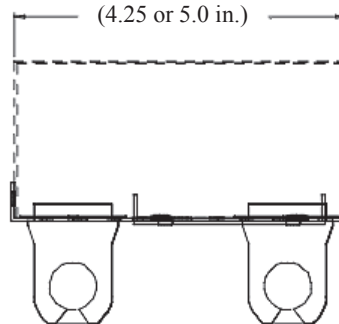


T8 style lamp holders only available for 8 ft. kit.



Strip Width

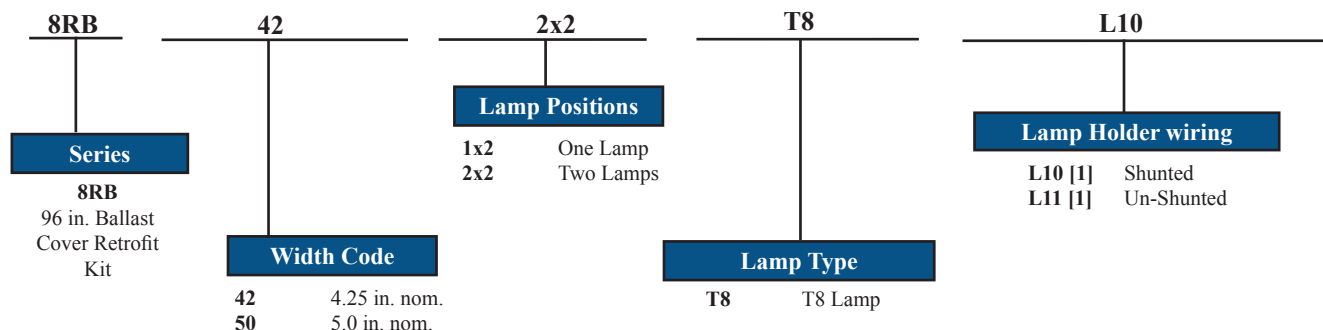
(4.25 or 5.0 in.)



Two (2 x 2) lamp positions shown

ORDERING INFORMATION

Example: **8RB422X2T8L10**



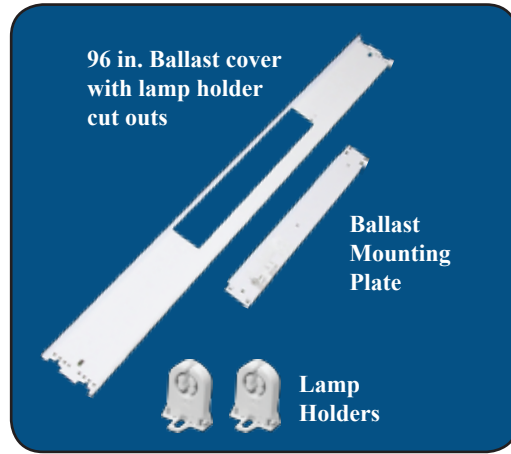
[1] Shunted lamp holders (L10) are suitable for instant start ballasts, un-shunted (L11) for rapid or pro start ballasts.

Strips Ballast Retrofit Kit

48 in. Ballast retrofit

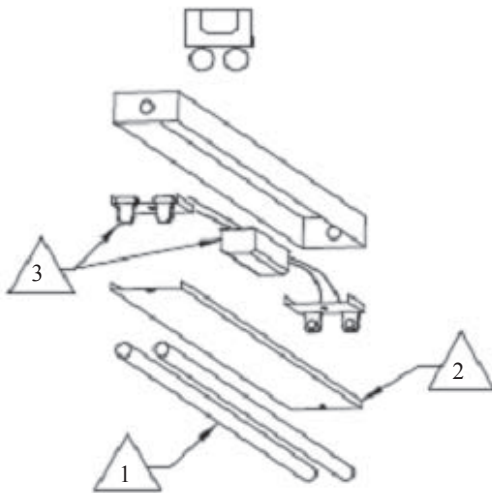


96 in. Ballast retrofit

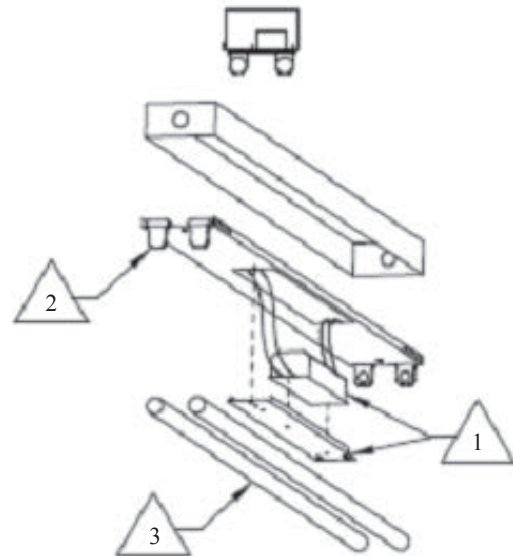


48in 2T12 to 2T8 Strip Retrofit Installation 4-1/4" or 5" Wide Strips

Before



After



1. Remove existing T12 lamps.
2. Remove ballast cover.
3. Remove existing ballast, socket bar and lampholders

1. Install ballast to access plate with hardware provided. Install access plate to ballast cover with tek screw provided
2. Install new T8 lampholders into ballast cover and wire the ballast. Install ballast cover to fixture with tek screws provided
3. Install new T8 lamps.

FEATURES & SPECIFICATIONS

INTENDED USE

The SRK Universal Retrofit Kit is designed for 4' or 8' fluorescent industrial and strip fixtures and installs with simple hand tools. The universal socket bracket is designed for simple fit up to most standard fluorescent channels from 4" to 5 1/4" in width. The Reflector mounts to final wired socket brackets with 2 quarter-turn fasteners for easy maintenance after retrofit is complete. Components are shipped separately in unit packages.

LAMP

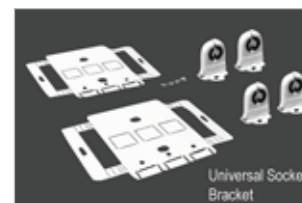
1, 2, or 3 Lamp Positions.

MOUNTING

The SRK universal strip retrofit kit mounts easily, requiring only simple hand tools. The process includes removal of the existing ballast cover(s) and removal of the existing socket brackets and ballast. The new reflector is then attached to the existing strip channel with a universal socket bracket and self-tapping screws. The universal socket bracket can fit channels from 4" to 5 1/4" in width. The reflector serves as the ballast cover. Mount and connect new ballast to sockets. Close the reflector using captive quarter turns and install lamps.

REFLECTORS

Precision formed, high performance, premium mirrored specular reflector or enhanced white reflector.



ELECTRICAL

Lamps are secured with rotary locking lamp sockets for ease of relamping and to reduce lamps disconnecting due to vibration or incidental contact. Suitable for damp locations. Lamp socket accepts No. 18 gauge wire, either solid, solder dipped or twisted-tinned or fuse wire.

LISTING

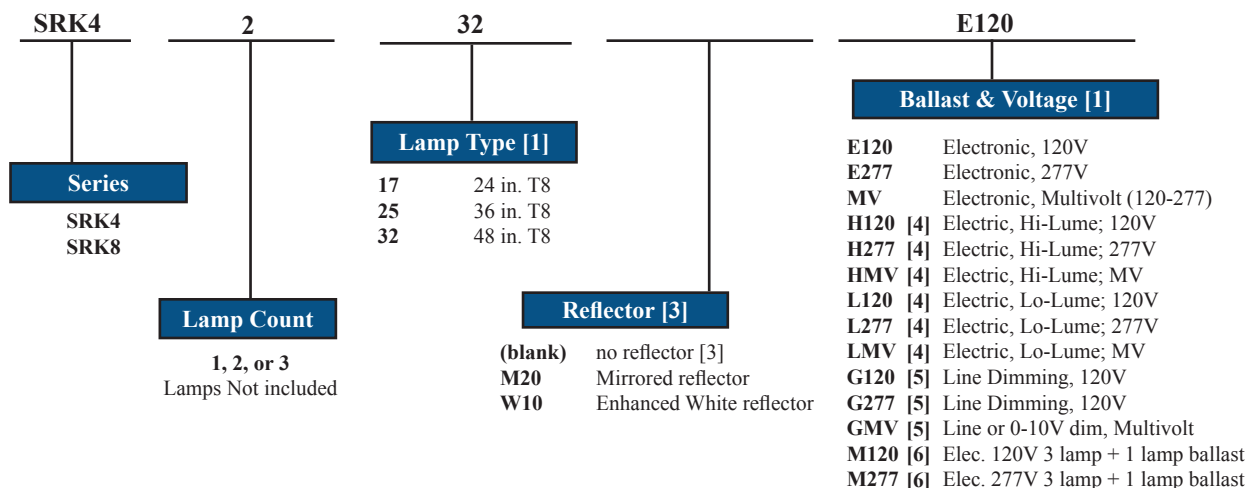
Fixture & Ballast: UL Listed Ballast:
Thermally protected, class P, HPF, Non PCB

TYPICAL OPTIONS AND ACCESSORIES

Emergency ballasts, whips, wire guards, and tube guards. See options page at the end of the T02STRIP section, or contact factory for more details.

ORDERING INFORMATION

Example: **SRK4 232 E120**

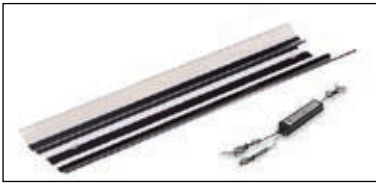


Notes

- [1] See end of T02Grid for many additional lamps, ballasts, finishes, and options.
- [3] Custom reflectors available to create any light distribution.
- [4] HiLume and LoLume ballasts available for T8 lamps only.
- [5] Line dimming ballasts available for T8 & T5HO lamps only.
- [6] Magnetic ballasts available for T8 & T12 only.
- [7] Magnetic & electronic T12 ballasts drive a 34W energy saver lamp.

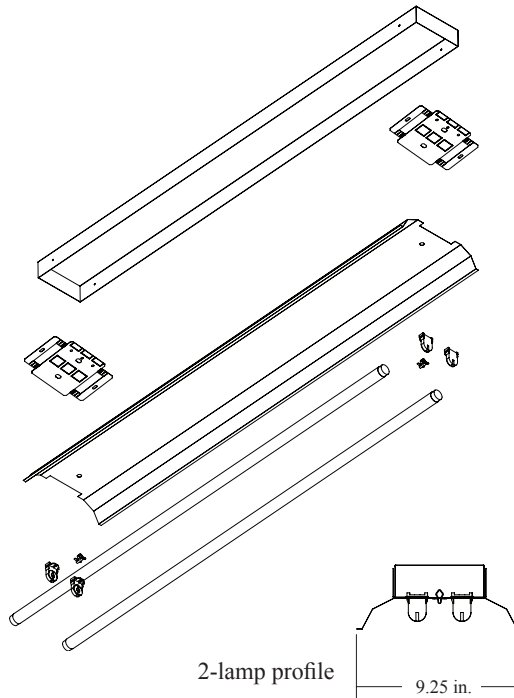
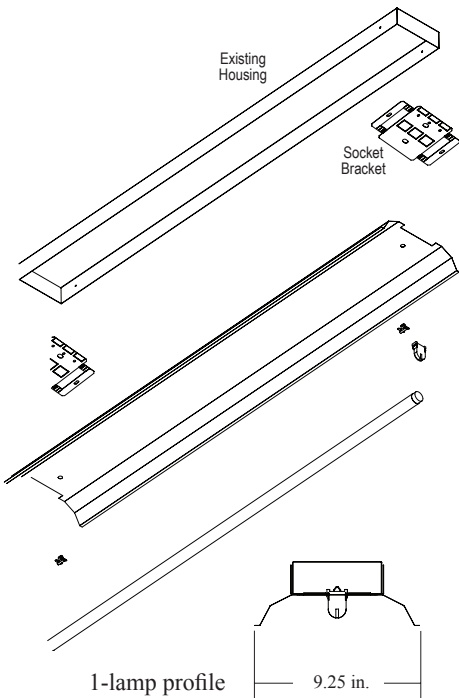
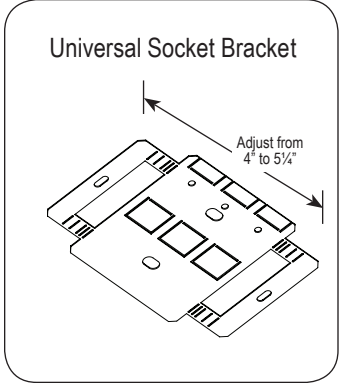
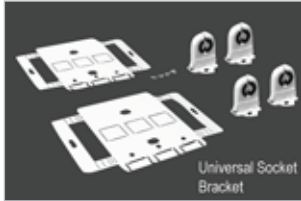
SRK

Universal Strip Retrofit Kit w/ Reflector



DIMENSIONS

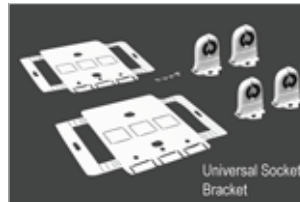
All dimensions are inches. Specifications subject to change without notice.



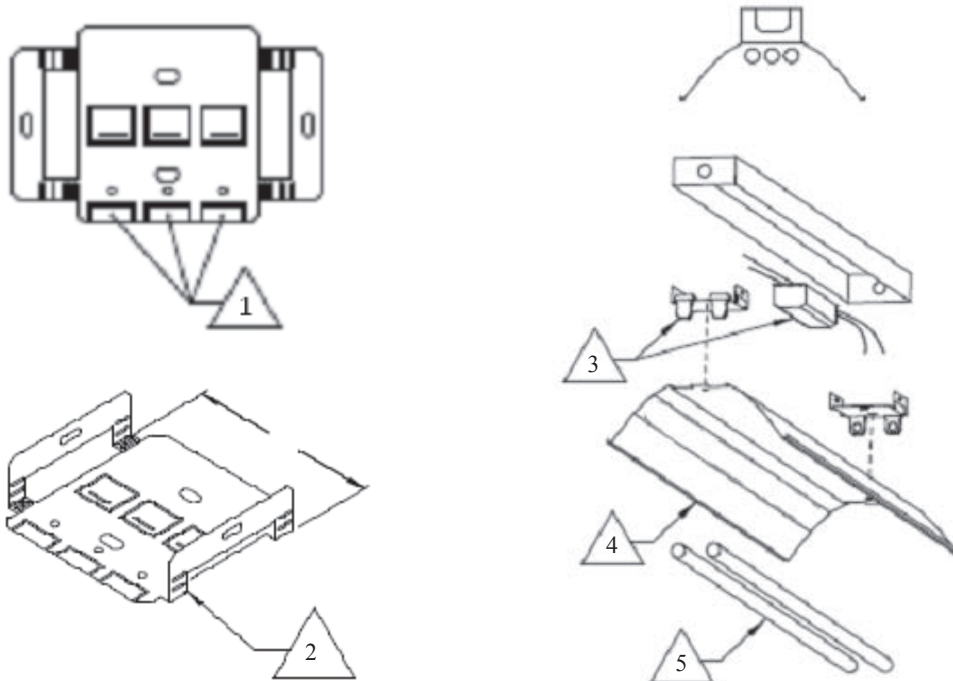
0.5 Height

Catalog Number:
Notes:

Strips Universal Retrofit Kit with Reflector

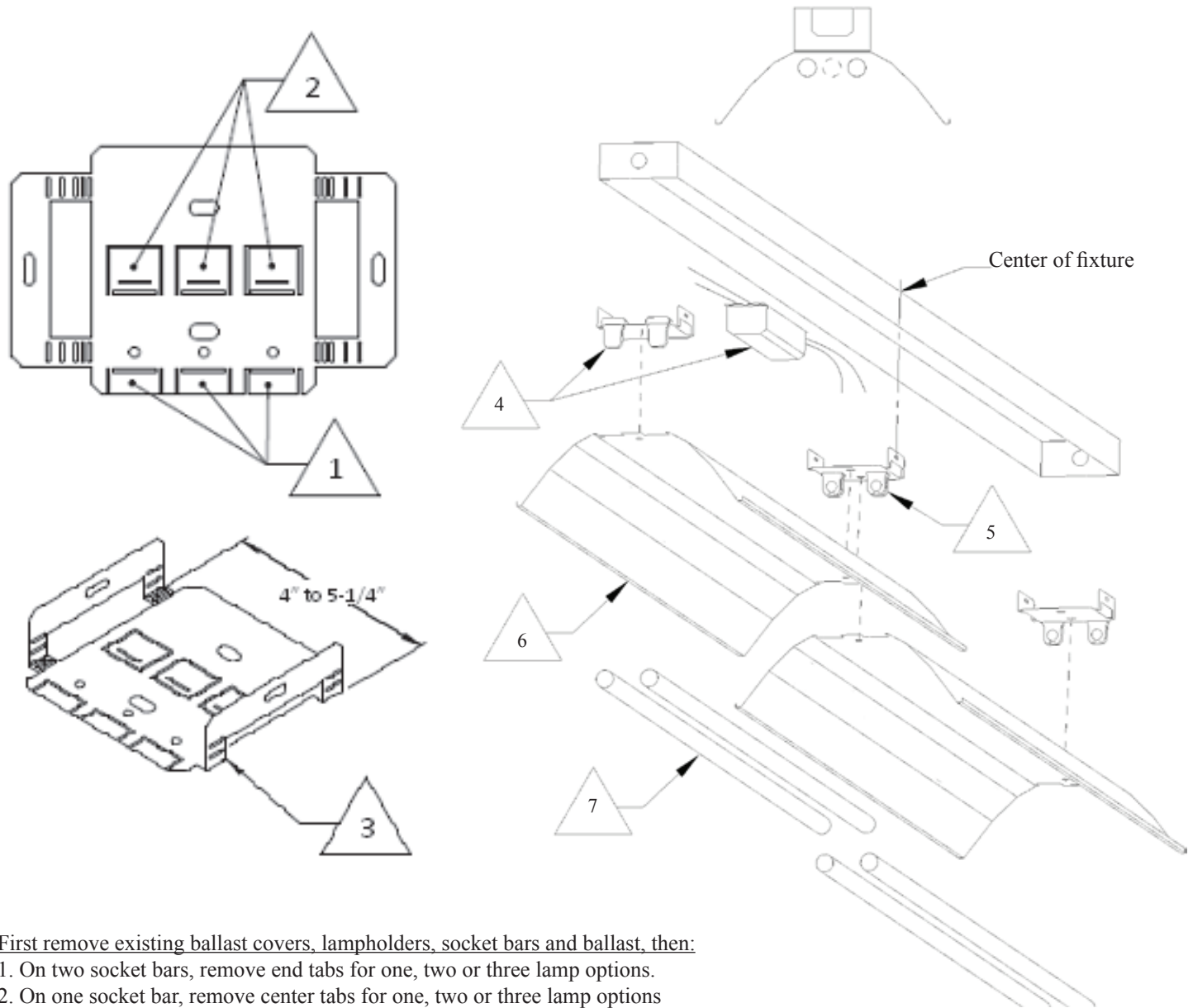


Universal 48in Strip Retrofit Installation



Strips Universal Retrofit Kit with Reflector

Universal 96in Strip Retrofit Installation



First remove existing ballast covers, lampholders, socket bars and ballast, then:

1. On two socket bars, remove end tabs for one, two or three lamp options.
2. On one socket bar, remove center tabs for one, two or three lamp options
3. Place socket bars centered across fixture to determine which tabs to bend for proper width.
Bend socket bar side flanges using a straight edged surface.
4. Install end socket bars, lampholders and ballast onto fixture with tek screws provided.
5. Install center socket bar. Center of socket bar should be placed at center of fixture.
6. Install retrofit reflectors with quarter turn fasteners provided.
7. Install new T8 lamps.